

EB 241

EB antipollution non-return valves

System 01

Technical Data Sheet



Description

The non-return valve EB 241 is certified to the NF antipollution norms. This non-return valve is designed for the protection of drinking water network against polluted backflow which has no recognized toxic or microbiological risks to human health. It is particularly suitable for mounting after watermeter.

- Operates in any position
- Minimum head loss
- Silent and robust
- Does not generate hammering
- Closing system : double axial guiding with return spring
- Excellent sealing at high as well as at low pressure ensured by a specially designed lip ring-seal



EB 241

EB antipollution non-return valves - System 01

DN		PFA in bar	PS in bar				Cat.	Ref.	Weight Kg
"	mm		L1	L2	G1	G2			
1/4	8	10	10	10	10	10	4.3	149B2014	0,05
3/8	10	10	10	10	10	10	4.3	149B2015	0,06
1/2	15	10	10	10	10	10	4.3	149B2008	0,04
3/4	20	10	10	10	10	10	4.3	149B94105	0,11

Important notice :

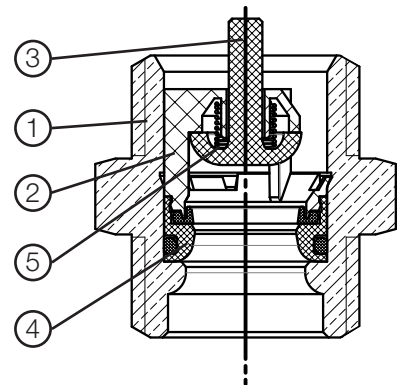
The indicated pressure for the different categories of fluids (L1/L2/G1/G2) is under no condition a guarantee of use. Therefore, it is essential to validate the use of products under given operating conditions.

Technical features

Operating temperature	-10 °C at 80 °C
Permissible operating pressure (PFA) in water	See table above
Maximum permissible pressure (PS) other mediums	See table above
Connection	Male/male, BSP thread
Mediums	Clear liquids, gas

Nomenclature and materials

N°	Description	Materials	EURO	ANSI
1	Body	Brass	CuZn40Pb2 CuZn39Pb3	
2	Guide	DN 8 at 15 DN 20	POM (polyacetal) PPO	
3	Closing system		POM (polyacetal)	
4	Seal	DN 10 + 15 DN 8 + 20	EPDM NBR (Nitrile)	
5	Spring		Stainless steel	X10CrNi18-8 AISI 302



Approvals



International construction Standards :

NF Antipollution according to NF EN 13959 (except DN 3/4 - EN1717)

Thread connection according to NF E 03-005 ISO 228

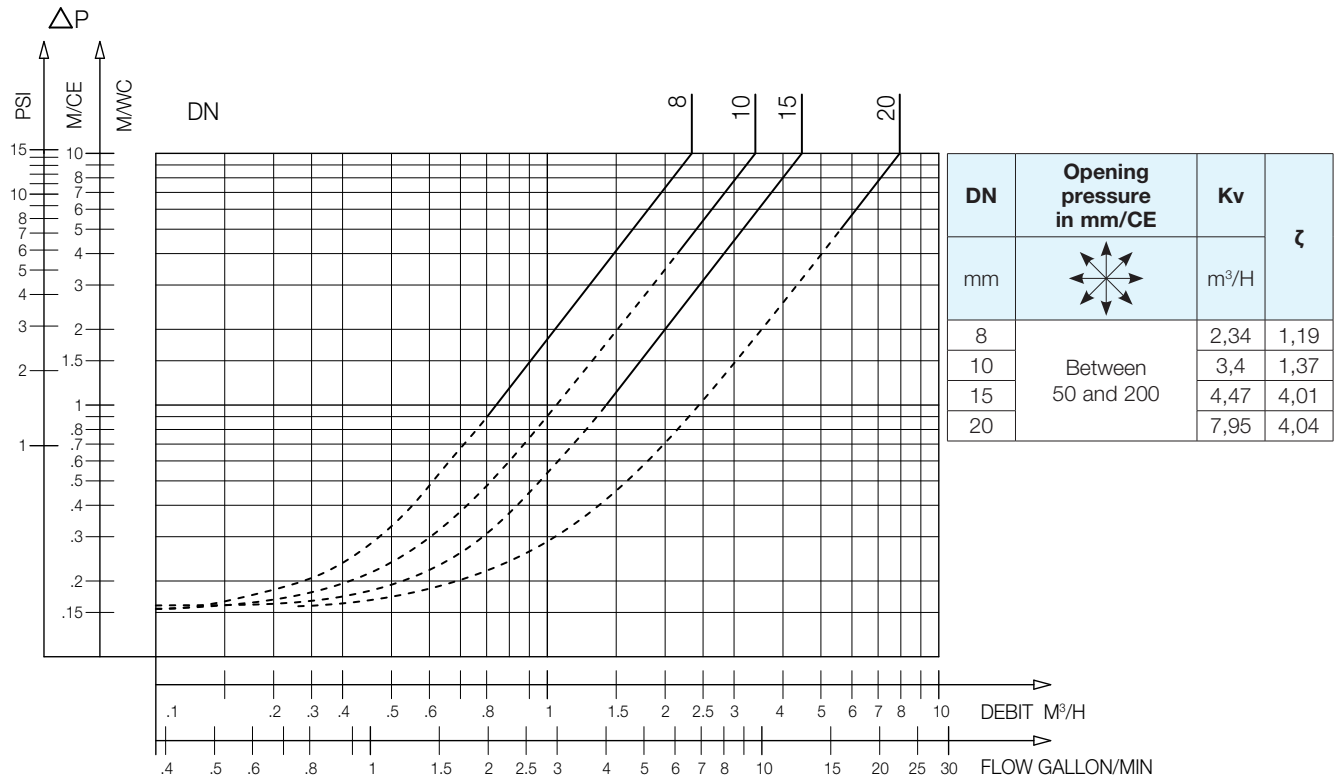
Application

Housing, water distribution.

Operation

Direction for use :

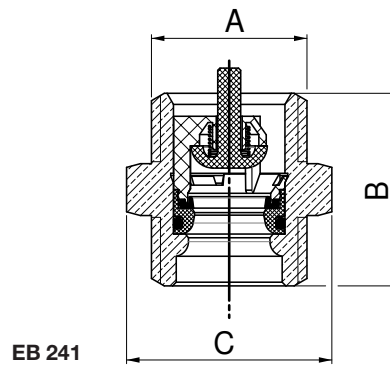
- Solid line: Valve completely open
- Dotted line: opening stage of valve



EB 241 - Headloss chart

Sizing

DN	Connection A		B	C
mm	"	mm	mm	mm
8	1/4	8/13	39,0	20
10	3/8	12/17	40,5	20
15	1/2	15/21	26,0	24
20	3/4	20/27	50,0	30



The descriptions and photographs contained in this product specification sheet are supplied by way of information only and are not binding.

Socla reserves the right to carry out any technical and design improvements to its products without prior notice. Warranty : All sales and contracts for sale are expressly conditioned on the buyer's assent to Socla terms and conditions found on its website at www.socla.com. Socla hereby objects to any term, different from or additional to Socla terms, contained in any buyer communication in any form, unless agreed to in a writing signed by an officer of Socla.



A WATTS Brand

Socla sas

365 rue du Lieutenant Putier • 71530 Virey-Le-Grand • France

Tel. +33 03 85 97 42 00 • Fax +33 03 85 97 42 42

contact@wattswater.com • www.socla.com

ISO 9001 version 2015 / ISO 18001