

EB 201

EB antipollution non-return valves

System 01

Technical Data Sheet



Description

The non-return valve EB 201 is certified to the NF antipollution norms. This non-return valve is designed for the protection of drinking water network against polluted backflow which has no recognized toxic or microbiological risks to human health. It is particularly suitable for mounting after watermeter.

- Operates in any position
- Minimum head loss
- Silent and robust
- 1 downstream boss drilled 1/4" with plug (DN 1/2 : without boss) (except DN 3/8»)
- Does not generate hammering
- Closing system : double axial guiding with return spring
- Excellent sealing at high as well as at low pressure ensured by a specially designed lip ring-seal



Ref. 149B2293

EB 201

EB antipollution non-return valves - System 01

DN "	PFA in bar	PS in bar				Cat.	Ref.	Weight Kg
		L1	L2	G1	G2			
1/2	10	10	10	10	10	4.3	149B2293	0,05
3/4	10	10	10	10	10	4.3	149B2002	0,20
1	10	10	10	10	10	4.3	149B2003	0,18

Important notice :

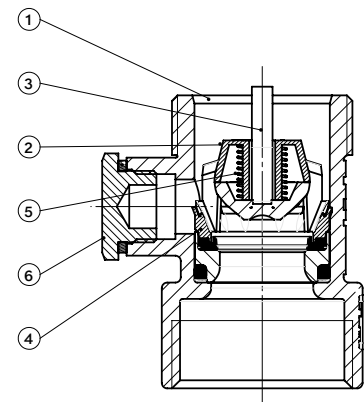
The indicated pressure for the different categories of fluids (L1/L2/G1/G2) is under no condition a guarantee of use. Therefore, it is essential to validate the use of products under given operating conditions.

Technical features

Operating temperature	-10 °C at 80 °C
Permissible operating pressure (PFA) in water	See table above
Maximum permissible pressure (PS) other mediums	See table above
Connection	Female/male, BSP thread
Mediums	Clear liquids, gas

Nomenclature and materials

N°	Description	Materials	EURO	ANSI	
1	Body	DN 1/2"	Brass	CuZn39Pb3	ASTM B 124
		DN 3/4"	Brass	CuZn39Pb2	ASTM B 124
		DN 1"	Brass	CuZn40Pb2	ASTM B 124
2	Guide	DN 1/2"	POM (polyacetal)		
		DN 3/4 and 1"	PPO		
3	Closing system	POM (polyacetal)			
4	Seal	DN 1/2"	EPDM		
		DN 3/4" and 1"	NBR (Nitrile)		
5	Spring	Stainless steel	X10CrNi18-8	AISI 302	
6	Plug Seal	POM (polyacetal)			
		EPDM			



Approvals



International construction Standards :

NF Antipollution according to NF EN 13959 - EN1717
Thread connection according to NF EN ISO 228-1 or ISO 7.1

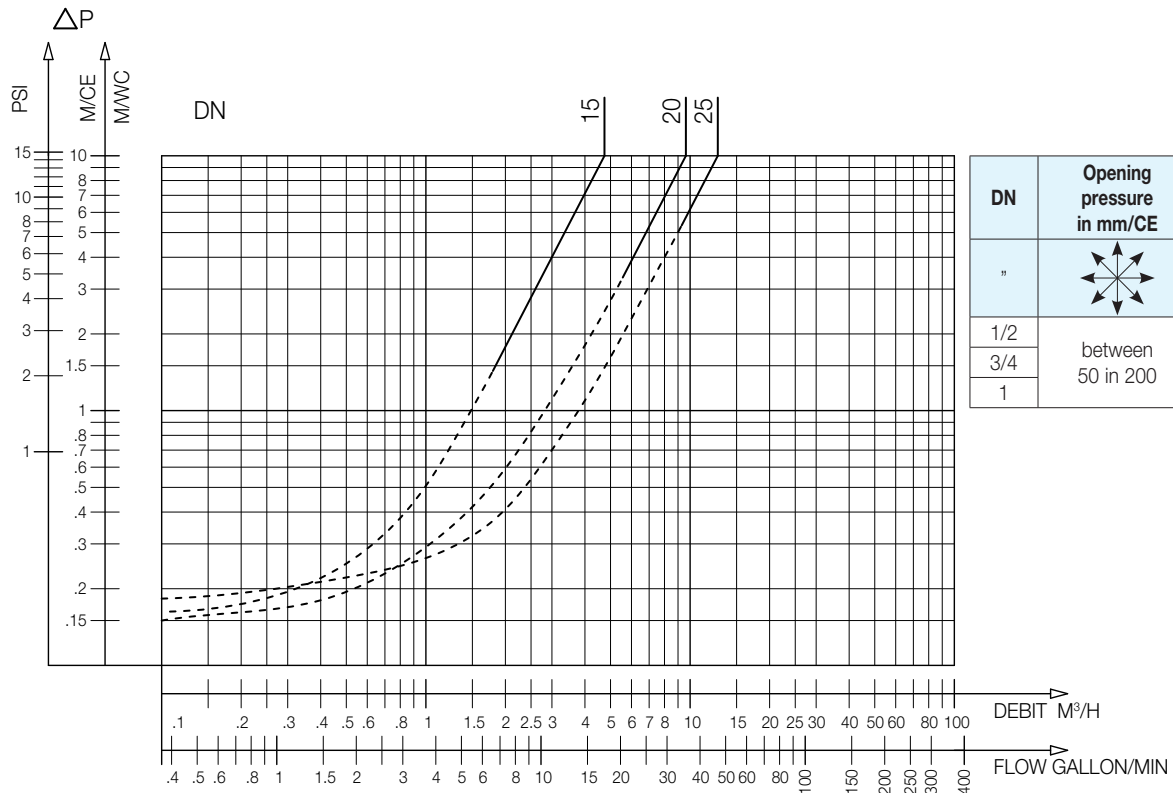
Application

Housing, water distribution, protection of drinking water networks.

Operation

Direction for use :

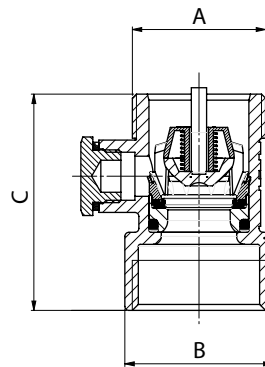
- Solid line: Valve completely open
- Dotted line: opening stage of valve



EB 201 - Headloss chart

Sizing

Connection A		B	C	D
"	mm	mm	mm	mm
1/2	15/21	31	24	-
3/4	20/27	50	30	28
1	26/34	54	37	35



EB 201

The descriptions and photographs contained in this product specification sheet are supplied by way of information only and are not binding.

Socla reserves the right to carry out any technical and design improvements to its products without prior notice. Warranty : All sales and contracts for sale are expressly conditioned on the buyer's assent to Socla terms and conditions found on its website at www.socla.com. Socla hereby objects to any term, different from or additional to Socla terms, contained in any buyer communication in any form, unless agreed to in a writing signed by an officer of Socla.



A WATTS Brand

Socla sas

365 rue du Lieutenant Putier • 71530 Virey-Le-Grand • France

Tel. +33 03 85 97 42 00 • Fax +33 03 85 97 42 42

contact@wattswater.com • www.socla.com

ISO 9001 version 2015 / ISO 18001