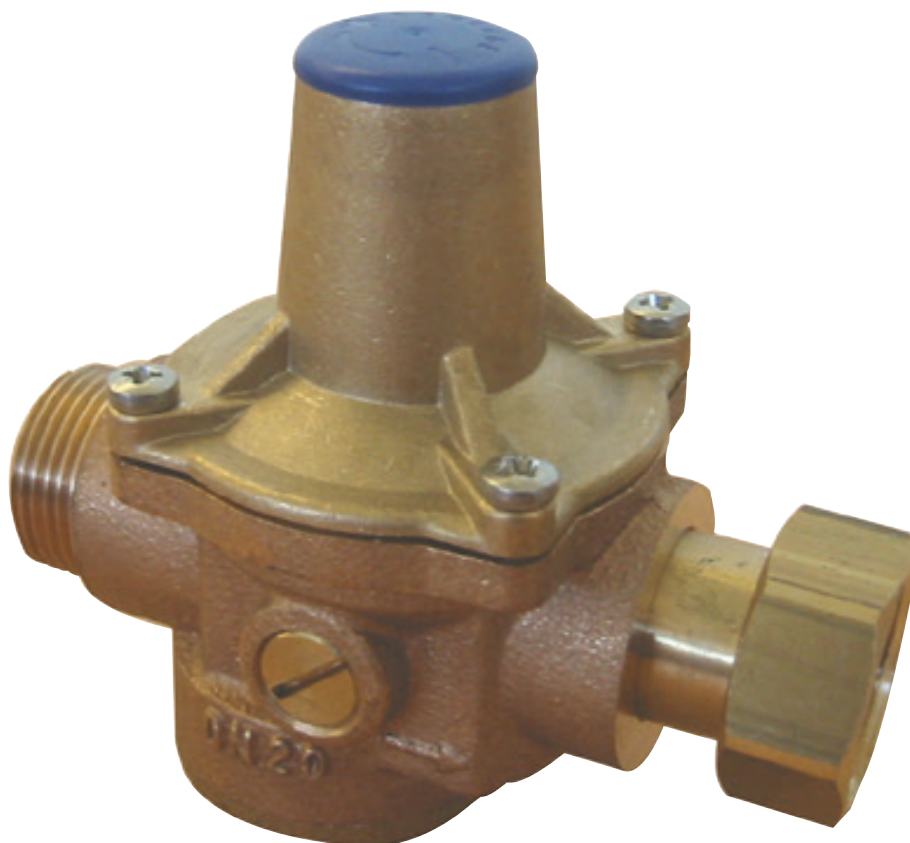


7 SP

Pressure reducing valves type JUNIOR

Desbordes

Technical Data Sheet



Description

The Desbordes pressure reducing valves 7 SP bodies are made of bronze. Due to the design, they are not affected by scale or dirt and do not need any maintenance. They can be fitted on compressed air, neutral gases and fuel oil at ambient temperature circuits. For these cases of applications consult us.

- Control and maintain the downstream pressure at an adjustable reduced value, whether there is a flow or not
- Keep an outlet pressure at a constant value, even by variation of the upstream pressure (the downstream pressure cannot vary more than 10% of the variation of the upstream pressure, according to the Standard)
- Guarantee a high flow rate at a constant outlet pressure because of low headloss
- Downstream setting : 1 bar to 5,5 bar ; indicative value according to EN1567
- Pre-set at 3 bar
- 1/4" pressure gauge connection and drain at each side of the casing

7 SP

Desbordes pressure reducing valves type JUNIOR



DN			PFA in bar	PS in bar				Cat.	Ref.	Weight Kg
Inlet	Outlet	mm		L1	L2	G1	G2			
3/4"	3/4"	20	16	16	16	x	16	4.3	149B7248	0,80

Important notice :

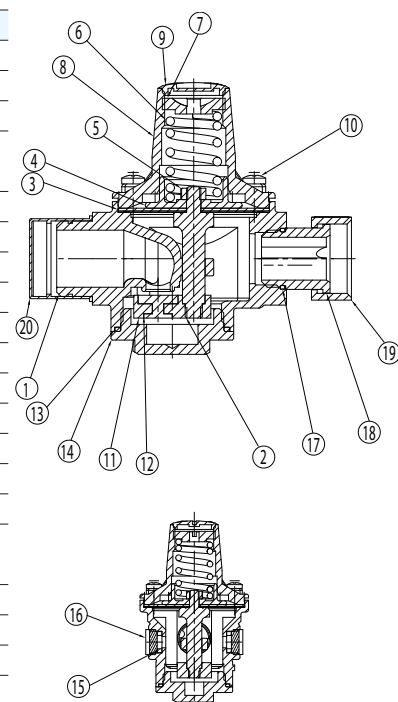
L1, L2, G1 and G2 correspond to liquids/gas classified into degree of danger according to the Pressure Equipment Directive (PED). The article 4.3 applies to equipments with no CE marking.

Technical features

Operating temperature	Mini. : -10 °C / Maxi. in permanent service : 80 °C
Permissible operating pressure (PFA) in water	See table above
Maximum permissible pressure (PS) other mediums	See table above
Connection	Inlet male BSP thread/outlet union nut 3/4"
Gauge connection	1/4"
Mediums	Water, other mediums : consult us

Nomenclature and materials

N°	Designation	Materials	EURO	ANSI
1	Body	Bronze	EN1982 CuPb5Zn5Sn5-C	ASTM B 505
2	Stem	DZR Brass	EN12164 CuZn36Pb2As R350	
3	Membrane	EPDM		
4	Membrane washer	Brass	EN12164 CuZn39Pb3 R360 mini	ASTM B 124
5	Nut	Stainless steel	EN10088-3 X5CrNi 18-10	AISI 304
6	Spring	Anticorrosive steel	EN10270-1 SH	
7	Adjusting screw	Brass	EN12164 CuZn39Pb3 R360 mini	ASTM B 124
8	Cap	Brass	EN12165 CuZn40Pb2 H080	ASTM B 124
9	Plug	Plastic		
10	Screw	Stainless steel	EN10088-3 X5CrNi 18-10	AISI 304
11	Seal box	Brass	EN12164 CuZn39Pb3 R360 mini	ASTM B 124
12	Seal	EPDM		
13	O-ring	NBR (Nitrile)		
14	Plug cap	Barss	EN12164 CuZn39Pb3 R360 mini	ASTM B 124
15	Flat seal	NBR (Nitrile)		
16	Pressure gauge plug	Brass	EN12164 CuZn39Pb3 R360 mini	ASTM B 124
17	O-ring	NBR (Nitrile)		
18	Socket	Brass	EN12164 CuZn39Pb3 R360 mini	ASTM B 124
19	Nut	Brass	EN12164 CuZn39Pb3 R360 mini	ASTM B 124
20	Plug	Plastic		



Approvals

ACS : specific references consult us

International construction Standards :

Pressure reducing valves EN 1567

Thread connection NF EN ISO 228

Application

7 SP is an ideal pressure reducing valve for domestic water systems without specific requirements : individual supply for building sites (flats, houses...).

Factory preset at 3 bar, it protects the whole installation, facilitates the setting of mixing valves, and decreases the hammering and helps to avoid cracks and vibrations in the piping.

Thanks to its weak head losses, it helps to obtain normal flow during simultaneous pumping.

Installation

In domestic water supply the DESBORDES reducing valves are fitted just after the water meter and thus protect the whole installation. They can be fitted wherever a reducing pressure is needed.

If there is a frost risk, they should be drained.

It can be fitted in any positions (horizontal, upright, upside down, fluid ascending or reversed and inclined...) if you respect the direction of flow as indicated by the arrow engraved on the body.

However if the circuit present a risk of back pressure or hammering we recommend to protect the pressure reducing valve with a check valve directly after its output.

Fonctionnement

Flow :

During water flow, water pressure exercised on the diaphragm decreases, which allows the spring to relax. The piston disc-yoke assembly moves towards the bottom to allow the water to pass.

Flow stoppage :

When water flow stops, the downstream pressure pushes on the diaphragm again, the spring goes back to its initial position, which leads to the valve closing, stopping water from flowing freely.

Setting

The adjustment must be done without flow ie no downstream outflow. The 7 SP pressure reducing valve is factory pre-set at 3 bar.

They remain adjustable within a 1,5 bar to 5.5 bar range.

To increase the pressure, tighten the adjusting screw (clockwise as you look at the screw from above). To reduce the pressure, undo the adjusting screw (anticlockwise as you look at the screw from above), slightly open a tap for a moment, close again, then tighten the screw again until you obtain a desired pressure.

Water hammers can damage the reducing valve. When commissioning, open slowly and gradually the valve at the upstream side. A booster unit with a sudden start close to the pressure reducer requires the safety of an absorption tank. Just like by any intervention on the pipe work, the circuits must be rinsed beforehand.

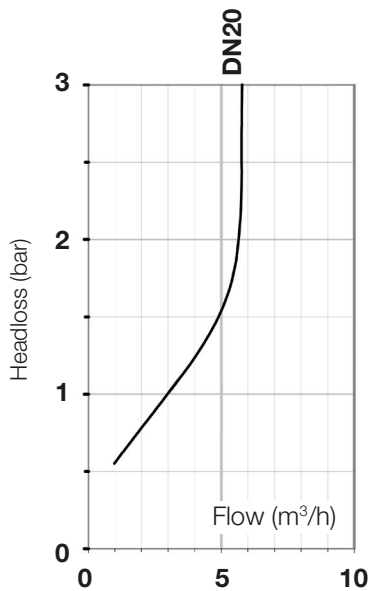
Max. upstream pressure : 16 bar.

Maintenance

Due to the special design, the Desbordres 7 SP pressure reducing valve is not affected by scale or dirt and does not need any maintenance if is fitted by a professional.

Diaphragm, spring, seat, valve are largely dimensioned to allow precise and constant adjustment allowing a high flow.

Operation



DN (mm)	Kv	Q max	Q at 2 m/s
20	3	5,8	2,26

Kv : Flow in m³/h when the output pressure becomes 1 bar lower than its zero flow setting

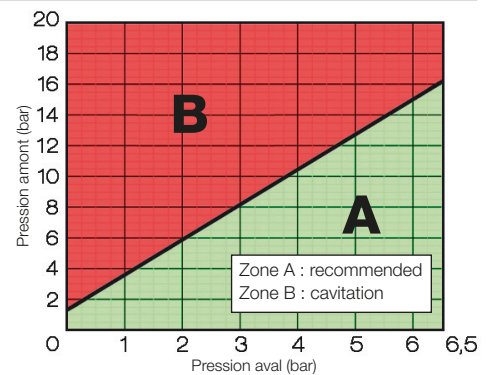
7 SP - Headloss chart

Setting data : upstream 8 bar/downstream 3 bar

Cavitation

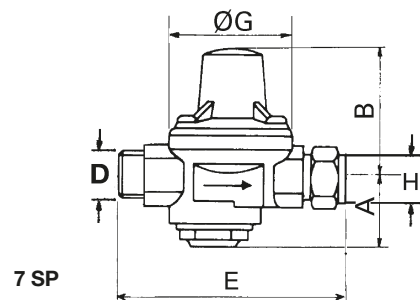
Checking if the differential of pressure, between the upstream and the desired downstream pressure, is not too large, is necessary to avoid cavitation risk. By putting in the graph hereafter, the upstream value and the desired downstream pressure, 2 results are possible :

- Zone A : The point is in the no-cavitation zone, normal duty
- Zone B : The point is in the cavitation zone : continuous operation in this zone can cause rapid damage of the internal parts. If the pressure reducing valve is to operate in this zone, contact us.



Sizing

DN			A	B	E	G
Inlet D	Outlet H	mm	mm	mm	mm	mm
3/4"	3/4"	20	33,5	61	95	57



The descriptions and photographs contained in this product specification sheet are supplied by way of information only and are not binding.

Socla reserves the right to carry out any technical and design improvements to its products without prior notice. Warranty : All sales and contracts for sale are expressly conditioned on the buyer's assent to Socla terms and conditions found on its website at www.socla.com. Socla hereby objects to any term, different from or additional to Socla terms, contained in any buyer communication in any form, unless agreed to in a writing signed by an officer of Socla.

Socla

A WATTS Brand

Socla sas

365 rue du Lieutenant Putier • 71530 Virey-Le-Grand • France
 Tel. +33 03 85 97 42 00 • Fax +33 03 85 97 42 42
contact@wattswater.com • www.socla.com
 ISO 9001 version 2015 / ISO 18001