

462

Non-return axial guided valve
02 System

Technical Data Sheet



Description

A non-return valve is compatible with many types of fluids and can be adapted to a wide range of installations. However, each of these installations comes with their own particular constraints : mechanical, hydraulic, physical or chemical. The O2 system offers the best compromise between hydraulic performance, ruggedness, sealing-tightness and cost effectiveness with any kind of liquids (subject to a validation of our recommendation service).

Our valves meet the requirements of the Pressure Equipment Directive 2014/68/UE. This range extends from 50 to 200 mm. By its technology, it operates in any position for a lot of applications. It's compact and it doesn't generate hammering.



462

Non-return axial guided valve - O2 System

DN	PN	PFA in bar	PS in bar				Cat	Ref.	Weight Kg
			L1	L2	G1	G2			
2	50	10/16	16	16	16	16	I	149B3751	6,7
2 1/2	65	10/16	16	16	16	15	I	149B3752	9,3
3	80	10/16	16	16	16	12	I	149B3753	10,9
4	100	10/16	16	16	16	10	I	149B3754	14,3
5	125	10/16	16	16	16	0,5	I	149B3755	20,9
6	150	10/16	16	13	16	0,5	I	149B3756	27,7
8	200	10	10	10	10	0,5	I	149B3757	40,7

Important notice :

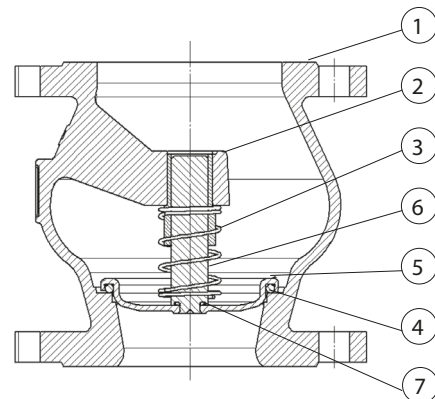
The indicated pressure for the different categories of fluids (L1/L2/G1/G2) is under no condition a guarantee of use. Therefore, it is essential to validate the use of products under given operating conditions. The operating instructions are available on our web site www.socla.com or by requesting from our sales department.

Technical features

Operating temperature	-10 °C to 100 °C
Permissible operating pressure (PFA) in water	See table above
Maximum permissible pressure (PS) other mediums	See table above
Connection	Flanges drilled PN (see table)
Medium	Not loaded liquids

Nomenclature and materials

N°	Description	Materials	EURO	ANSI
1	Body	Cast iron / Epoxy	EN-GJL-250	ASTM A 48 35 B
2	Ring	Bronze	CuSn5Zn5Pb2-C	
3	Spring	Stainless steel	X10CrNi18-8	AISI 302
4	Seal	EPDM		
5	Closing system	Brass	CuZn39Pb2	
6	Stem	Bronze	CuSn5Zn5Pb2-C	
7	Seal	EPDM		



Approvals



International construction Standards :

Directive 2014/68/UE

Flange drilling according to EN1092-2

Face-to-face dimensions according to EN558-1 series 14

Application

Water supply, water distribution, pumping, industry.

Installation

Installation :

Before putting valve into operation, check that :

- the working conditions are compatible with the details given on the identification plate, the instruction notice and the manufacturer's detail,
- the valve works effectively when tried (carry out a few opening and closing operations of the closing system),
- the valve is free-pollution inside.

On a new installation or after maintenance, the circuit must be rinsed with the valve completely open in order to remove solid matter which may damage the internal parts of the valve.

Commissioning :

The installation should be put under pressure progressively to avoid damage which might occur to internal components.

Make sure that when flow stops the valve maintains pressure well and that there is no water-hammer which might damage the valve or installation.

If there is water-hammer, an anti-water hammer system must be added to the installation.

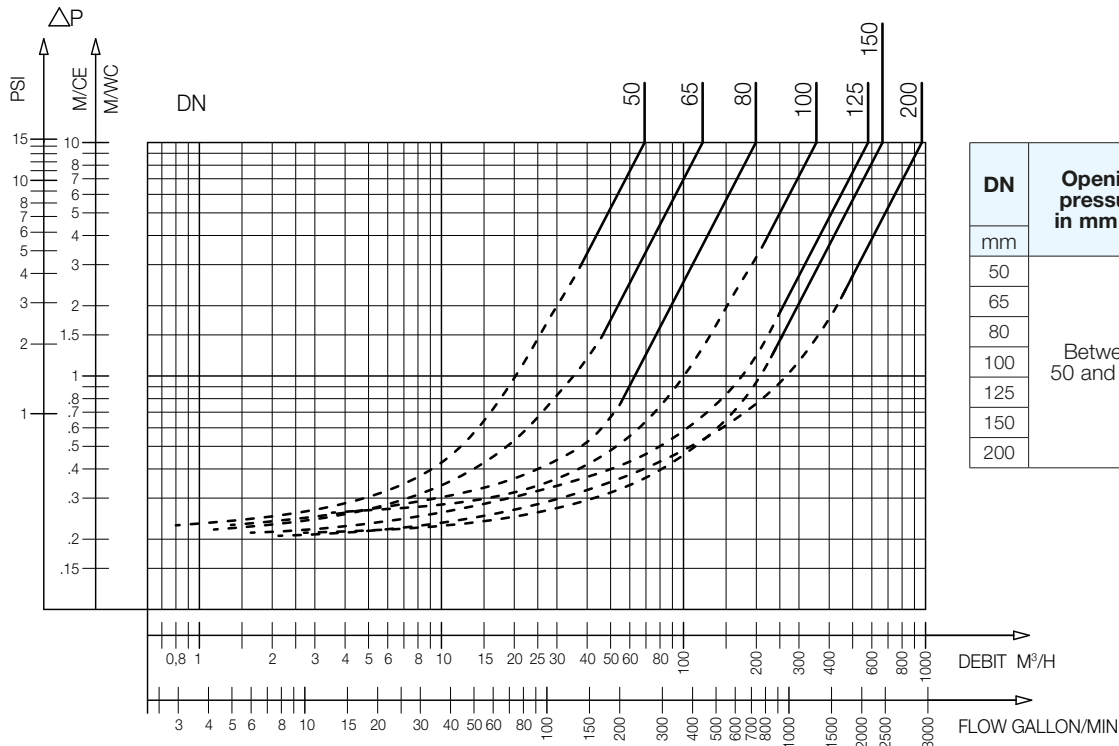
During a prolonged stoppage, a change in the state of the fluid may result in damage when the installation is brought back into service (solidification...).

Establish an adequate procedure program for cleaning the system.

Operation

Direction for use :

- Solid line : Valve completely open
- Dotted line : opening stage of valve

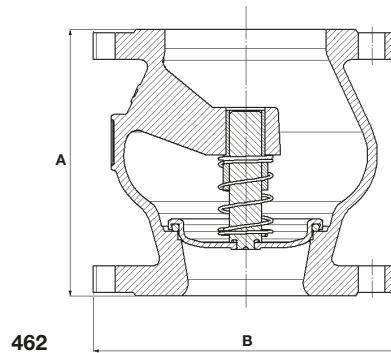


DN	Opening pressure in mm CE	Kv	ζ
		m³/H	
50	Between 50 and 200	69,1	2,1
65		120,92	1,95
80		199,8	1,65
100		354,65	1,27
125		579,8	1,16
150		664,7	1,83
200		965,8	2,74

462 - Headloss chart

Sizing

DN	A	B
"	mm	mm
2	50	165
2 1/2	65	185
3	80	200
4	100	220
5	125	250
6	150	285
8	200	340



The descriptions and photographs contained in this product specification sheet are supplied by way of information only and are not binding.

Socla reserves the right to carry out any technical and design improvements to its products without prior notice. Warranty : All sales and contracts for sale are expressly conditioned on the buyer's assent to Socla terms and conditions found on its website at www.socla.com. Socla hereby objects to any term, different from or additional to Socla terms, contained in any buyer communication in any form, unless agreed to in a writing signed by an officer of Socla.



A WATTS Brand

Socla sas

365 rue du Lieutenant Putier • 71530 Virey-Le-Grand • France
 Tel. +33 03 85 97 42 00 • Fax +33 03 85 97 42 42
contact@wattswater.com • www.socla.com
 ISO 9001 version 2015 / ISO 18001