

# 447 B

Membrane non-return valve

M system

## Technical Data Sheet



## Description

This valve is designed for installations that generate significant water hammer. It is very reliable and quiet (no mechanical moving parts, anti-incrustation closing system and seat). Ideal for booster pumps, sprinkler systems, motor or electric pump units and compressed air circuits. Alternating operation. On membrane check valves, the opening set by the elasticity and the thickness of the membrane is very progressive and can be obtained as a result of a few centimeters of W/C. Because of this, this check valve is particularly suitable for variable flow pumps and pulsatory operation.

- Operates in any position
- Low head loss
- Does not generate hammering
- Sealing ensured by membrane's self-closing
- Gas drilled bosses 1/2"
- Closing system: flexible membrane (thick elastomer disc) held in its center on a metal seat composed of a grid (flow equivalent to the nominal section)



### 447 B

Membrane non-return valve - M system

DN "	mm	PN	PFA in bar	PS in bar				Cat.	Ref.	Weight Kg
				L1	L2	G1	G2			
2 1/2	65	10/16	16	16	16	15	16	I	<b>149B2842B</b>	11,9
3	80	10/16	16	16	16	12	16	I	<b>149B2843B</b>	16,5
4	100	10/16	16	16	16	10	16	I	<b>149B2844B</b>	26,3
5	125	10/16	16	16	16	0,5	16	I	<b>149B2845B</b>	33,2
6	150	10/16	16	13	16	0,5	16	I	<b>149B2846B</b>	49,8
8	200	10	10	10	10	0,5	10	I	<b>149B2847B</b>	87,3

**Important notice :**

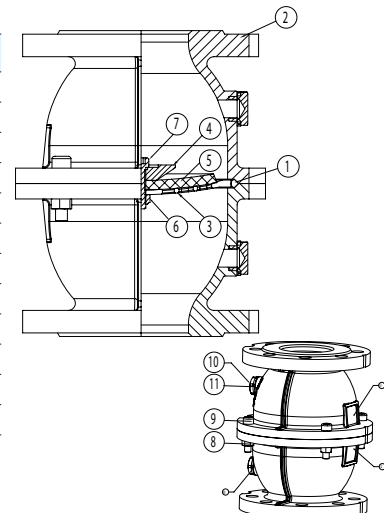
The indicated pressure for the different categories of fluids (L1/L2/G1/G2) is under no condition a guarantee of use. Therefore, it is essential to validate the use of products under given operating conditions. The operating instructions are available on our website [www.socla.com](http://www.socla.com) or by requesting from our sales department.

#### Technical features

Operating temperature	-10 °C to 60 °C
Permissible operating pressure (PFA) in water	See table above
Maximum permissible pressure (PS) other mediums	See table above
Connection	Flanges drilled PN (see table)
Mediums	Clear liquids, gas

#### Nomenclature and materials

N°	Description	Materials	EURO	ANSI	
1	O-ring	EPDM			
2	Body	Cast iron / Epoxy	EN-GJL-250	ASTM A 48 35 B	
3	Seat	Stainless steel			
4	Cup	DN 65	Stainless steel	X6Cr17	AISI 430
		DN 80-200	Brass	CuZn39Pb3	
5	Membrane	NR			
6	Nut	Stainless steel	X5Cr-Ni18-10	AISI 304	
7	Screw	Stainless steel	X5Cr-Ni18-10	AISI 304	
8	Nut	Galvanised steel			
9	Screw	Stainless steel	X5Cr-Ni18-10	AISI 304	
10	Plug	Brass	CuZn39Pb3		
11	Seal	EPDM			



# Approvals



### International construction Standards :

- CE conformity Directive 97/23/UE
- Flange drilling according to EN1092-2
- Length according to EN558-1 48 serie

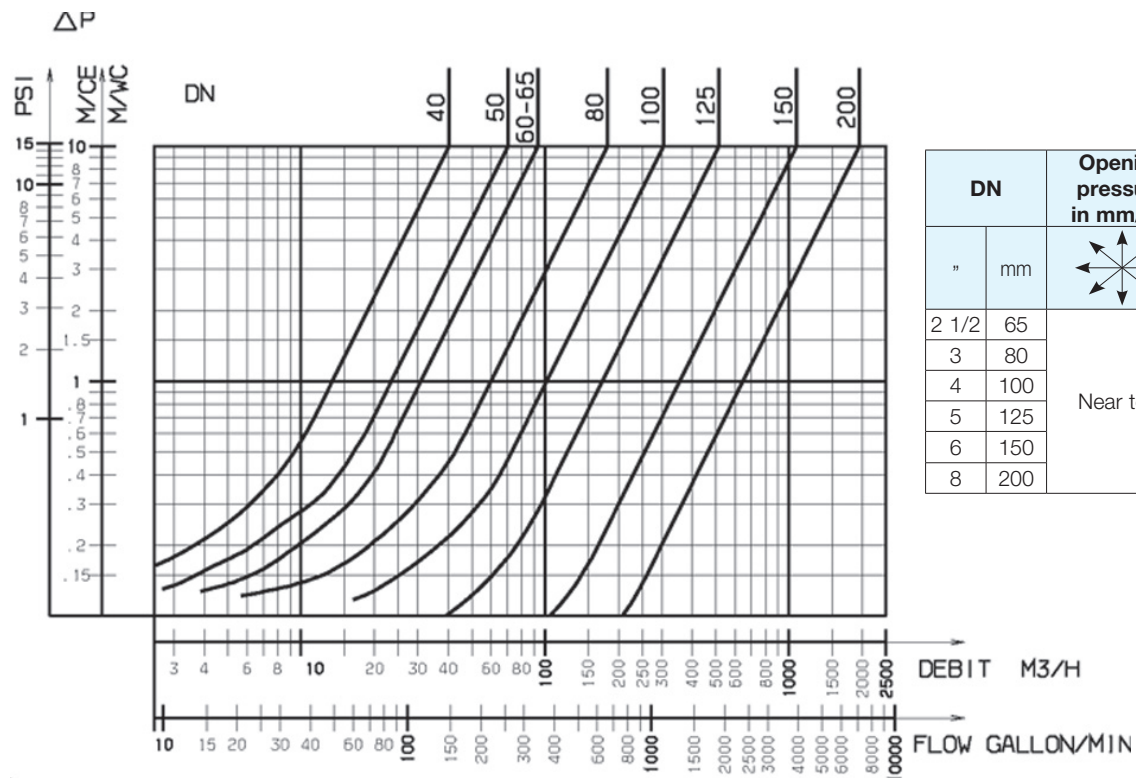
# Application

Booster pumps, compressed air circuits, vacuum pumps.

# Operation

### Direction for use :

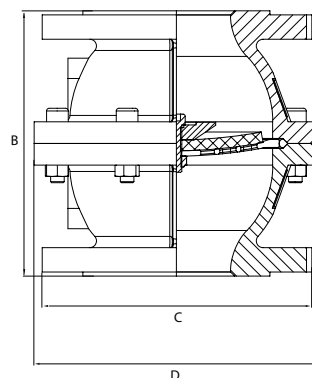
- Solid line: Valve completely open



447 B - Headloss chart

## Sizing

DN		B	C	D
"	mm	mm	mm	mm
2 1/2	65	240	185	169
3	80	258	200	212
4	100	299	220	234
5	125	347	250	250
6	150	396	285	324
8	200	496	340	426



447 B

The descriptions and photographs contained in this product specification sheet are supplied by way of information only and are not binding.

Socla reserves the right to carry out any technical and design improvements to its products without prior notice. Warranty : All sales and contracts for sale are expressly conditioned on the buyer's assent to Socla terms and conditions found on its website at [www.socla.com](http://www.socla.com). Socla hereby objects to any term, different from or additional to Socla terms, contained in any buyer communication in any form, unless agreed to in a writing signed by an officer of Socla.

**Socla**

**A WATTS Brand**

**Socla sas**

365 rue du Lieutenant Putier • 71530 Virey-Le-Grand • France

Tel. +33 03 85 97 42 00 • Fax +33 03 85 97 42 42

[contact@wattswater.com](mailto:contact@wattswater.com) • [www.socla.com](http://www.socla.com)

ISO 9001 version 2015 / ISO 18001